

Jolly Press burners with cover

Oroflam s.r.l. has created two standard sheet metal covers for single-stage Jolly Press models.



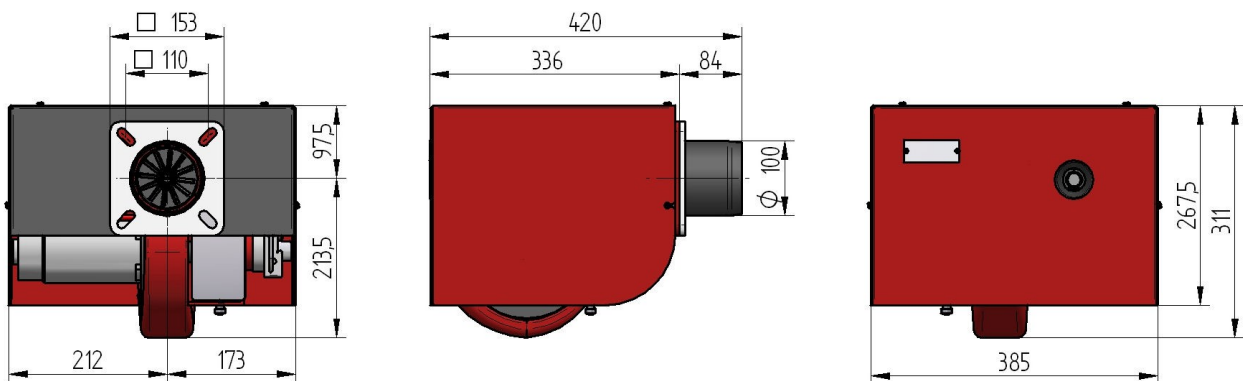
Customization: -C

Sheet metal cover for light-oil burner type:

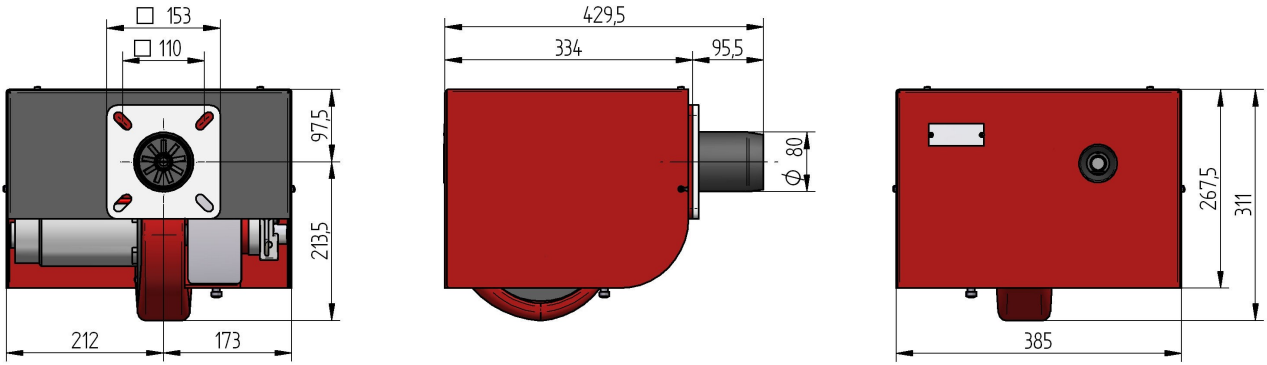
**Jolly Press DC6
Jolly Press DC
Jolly Press 12DC4
Jolly Press 12DC6
Jolly Press 12DC
Jolly Press 12DCR
Jolly Press S
Jolly Press SR**



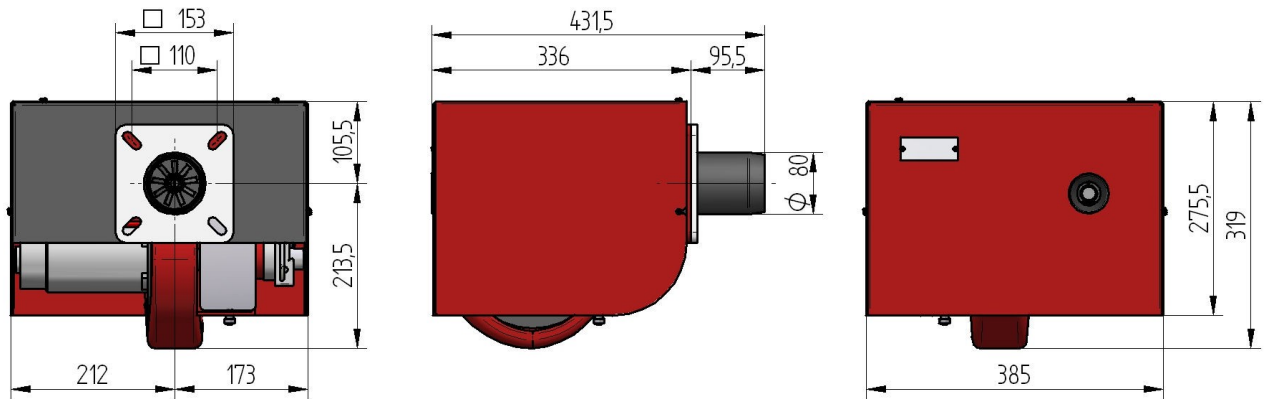
Jolly Press DC, S e SR burner sizes



Jolly Press 6DC burner sizes



Jolly Press 12DC4 & 12DC6 burner sizes



Jolly Press 12DC & 12DCR burner sizes

